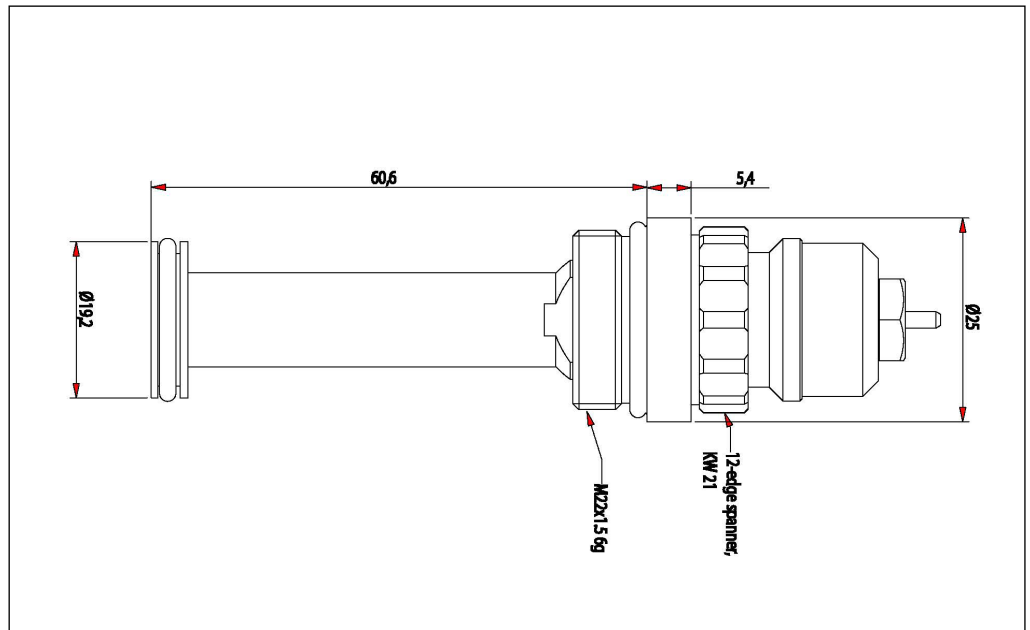


Application



Technical data

| Valve type | Code No. | kv (2.0) ¹⁾ | k _{vs} ¹⁾ | Max. pressure | | | Max. water temp. |
|------------|-----------------|------------------------|-------------------------------|---------------|--------------------------|------|------------------|
| | | | | Working | Different. ²⁾ | Test | |
| RA-FN | 013G4220 | 0.63 | 1.60 | 10 | 0.3 | 16 | 120 |

¹⁾ The k_v-value indicates the water flow (Q) in m³/h at a pressure drop (Δp) across the valve of 1 bar; k_v = Q: √Δp. The k_v-value is stated according to EN 215, at X_p = 2K i.e. the valve is closed at 2°C higher room temperature. The k_{vs}-value states the flow Q at a maximum lift, i.e. at fully open valve.

²⁾ The maximum differential pressure specified is the maximum pressure at which the valves give satisfactory regulation. As with any device which imposes a pressure drop in the system, noise may occur under certain flow/pressure conditions. The differential pressure can be reduced by the use of the Danfoss differential pressure regulators.

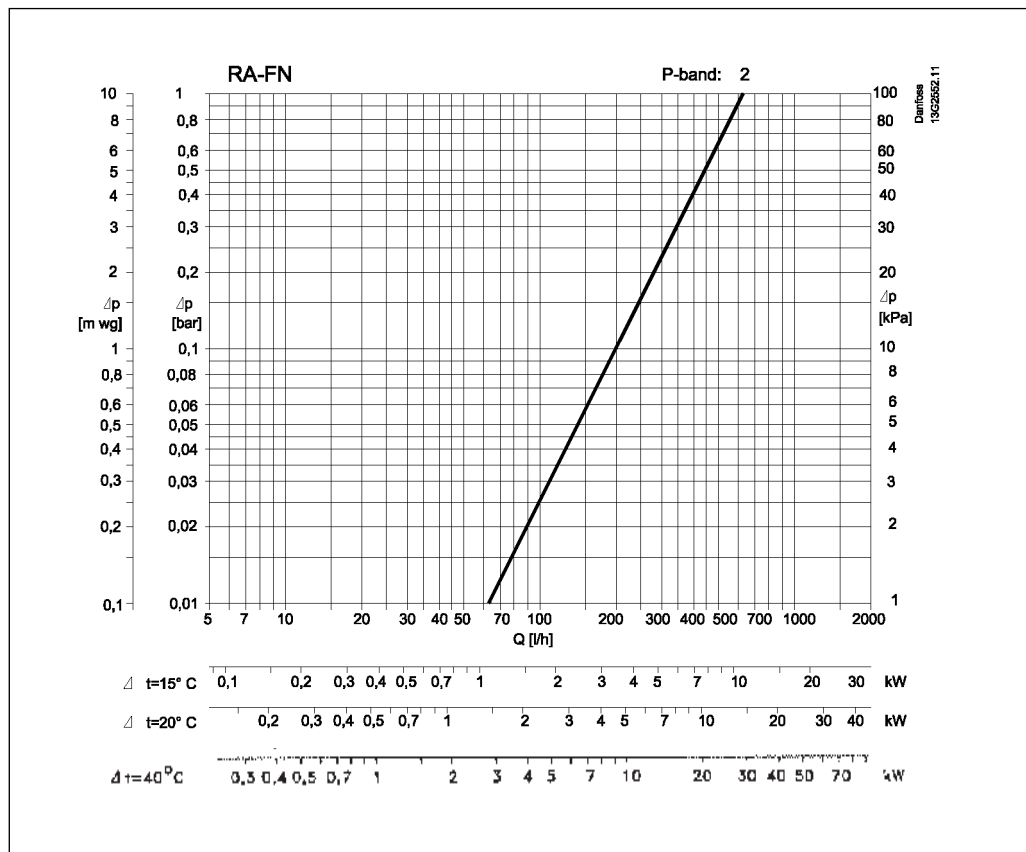
Spare parts

| Product | Code No. |
|-----------------------------|-----------------|
| Gland seal (Pack of 10 pcs) | 013G0290 |

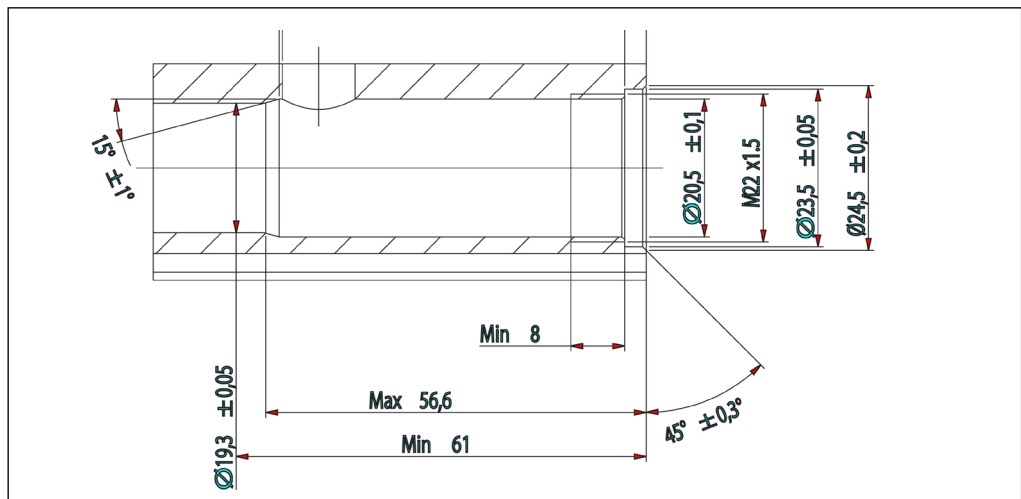
Materials

| | |
|--------------|---------------------|
| Spindle | Ms |
| O-rings | EPDM |
| Valve cone | NBR |
| Pressure pin | Chrome-plated steel |
| Valve body | Ms 58, Ni-coated |

Capacities



Dimensions



The flow insert is designed for radiators using steel, copper and alu valve garnitures as shown.

Danfoss can accept no responsibility for possible errors in catalogues, brochures and other printed material. Danfoss reserves the right to alter its products without notice. This also applies to products already on order provided that such alterations can be made without subsequential changes being necessary in specifications already agreed. All trademarks in this material are property of the respective companies. Danfoss and the Danfoss logotype are trademarks of Danfoss A/S. All rights reserved.



Danfoss A/S
 Haarupvaenget 11
 Haarup
 DK-8600 Silkeborg
 Phone: +45 7488 8000
 Telefax: +45 7488 8100