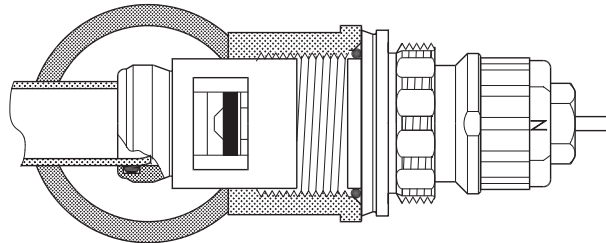


Data Sheet

# Integrated Presetting Valves, Type RA-N 013G3380 - for Normal Volume Flows

Application



Integrated valves type RA-N 013G3380 with built-in presetting are designed for incorporation into valve radiators from different radiator manufacturers.

To avoid calcification and corrosion, it is important for the composition of the circulating water to comply with the VDI 2035 guidelines.

The valve can be recognised by a red presetting ring.

Danfoss thermostatic sensors type RA 2000, RAS-C, RAS-D and RAE with patented snap sockets as well as Danfoss thermo-hydraulic actuators can be installed directly onto the integrated valve.

The valve is to be used in single and two pipe installations with circulating pump.

The gland seal of the valve can be replaced while the system is in operation.

Code Nos. and Technical Data

Type	Connection thread	Max. water temp. °C	Differential pressure <sup>1)</sup>		Test press. bar	Work. press. bar	Code no.
			Rec.	Tech			
			bar	bar			
RA-N	G ½ A	120	0.05-0.2	0.6	16	10	013G3380

Type	Presetting								
	k <sub>v</sub> -value <sup>2) 3)</sup>								k <sub>vs</sub>
	1	2	3	4	5	6	7	N	N
RA-N	0.04	0.09	0.16	0.25	0.36	0.43	0.52	0.73	0.90

<sup>1)</sup> The technical differential pressure indicates the upper limit for a proper valve function. In most two-pipe systems the recommended differential pressure is sufficient. In order to achieve a noiseless function we recommend in smaller systems to apply automatic bypass valves or automatic balancing valves. If pump differential pressure exceeds the recommended max. valve differential pressure it is recommended that an automatic balancing valve type ASV-P/PV is added to the system.

<sup>2)</sup> The k<sub>v</sub>-values indicate the flow volume (Q) in m<sup>3</sup>/h at a pressure loss (Δp) across the valve of 1 bar;  $k_v = \frac{Q}{\sqrt{\Delta p}}$ . At setting N, the k<sub>v</sub>-value in accordance with EN 215 can be stated as X<sub>p</sub> = 2 K. At lower preset values, X<sub>p</sub> will be reduced until approximately X<sub>p</sub> 0.5 at presetting 1. The table shows the average measured values for integrated valves with radiator. The k<sub>vs</sub>-values indicate the valve capacity, when the valve is fully open.

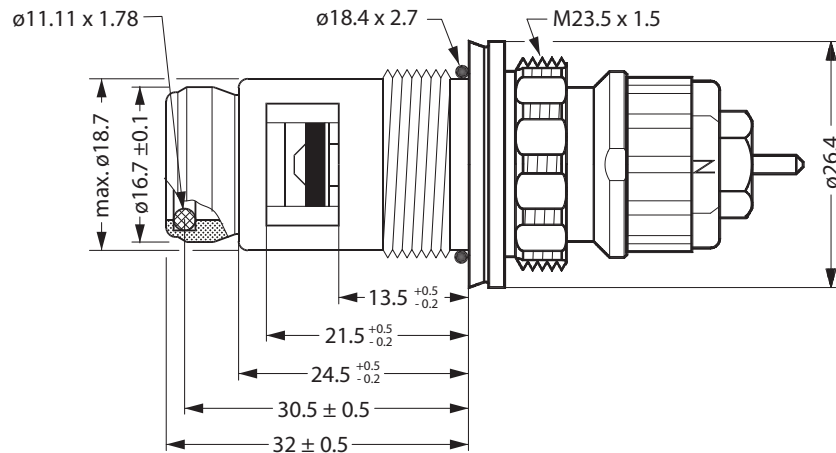
<sup>3)</sup> When using a liquid filled radiator thermostat e.g. RAS-C, RAS-D, RAE or remote setting element type RA 5060 X<sub>p</sub> will be increased by factor 1.6 (at setting "N", ref. EN 215).

Spare Parts and Accessories

Product	Code no.
Gland seal, 10 pcs. <sup>1)</sup>	013G0290
Red protection cap for RA-N valve 013G3380	013G0951
Small O-ring	633B1427
Big O-ring	633B0387

<sup>1)</sup> The gland seal of the valve can be replaced under pressure, i.e. while the installation is in operation.

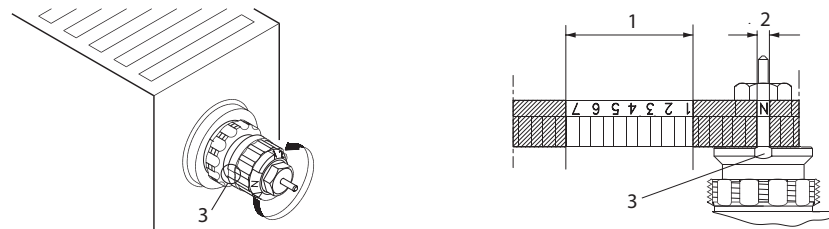
Design and Dimensions



Materials

Part	RA-N 013G3380
Valve housing	Ms 58
Valve seat	Ms 58
Throttle nozzle	PPS
Setting dial	Plastic
O-rings	NBR / EPDM
Valve spindle	Ms 58
Valve cone	NBR
Pressure pin and valve spring	Chrome steel

Presetting



1. Presetting range
2. Factory setting and one-pipe system
3. Reference mark

The presetting values of the integrated valves can be adjusted easily and accurately without the use of tools (factory setting: 'N'):

- Remove the protective cap or the thermostatic sensor
- Find the reference mark
- Turn the setting ring until the desired presetting aligns with the reference mark.

The presetting is controlled directly without the use of equipment. After installation in the radiator, the reference mark of the valves will not always be positioned in the same place.

Setting 'N' can be used as a flushing position if the system has to be flushed out because of dirt problems.

Presetting can be selected infinitely variably within the range of 1 to 7. At setting 'N' the valve is fully open. Setting in the shaded areas of the drawing should be avoided.

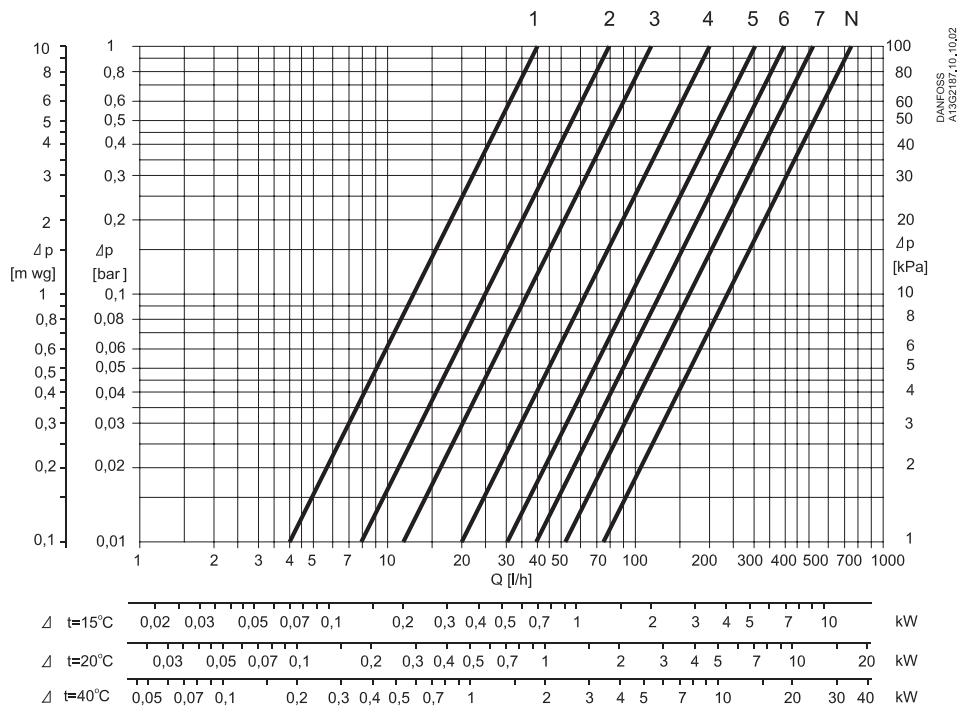
When the radiator thermostat has been installed, the presetting is protected against unintended regulation.

In a one-pipe installation, the setting 'N' must be used.

For Danfoss elements RA 2000, RAS-C, RAS-D and RAE, a theft protection device is available; this also provides added security against unwanted adjustment of the preset values.

Capacities without Radiator and Fittings

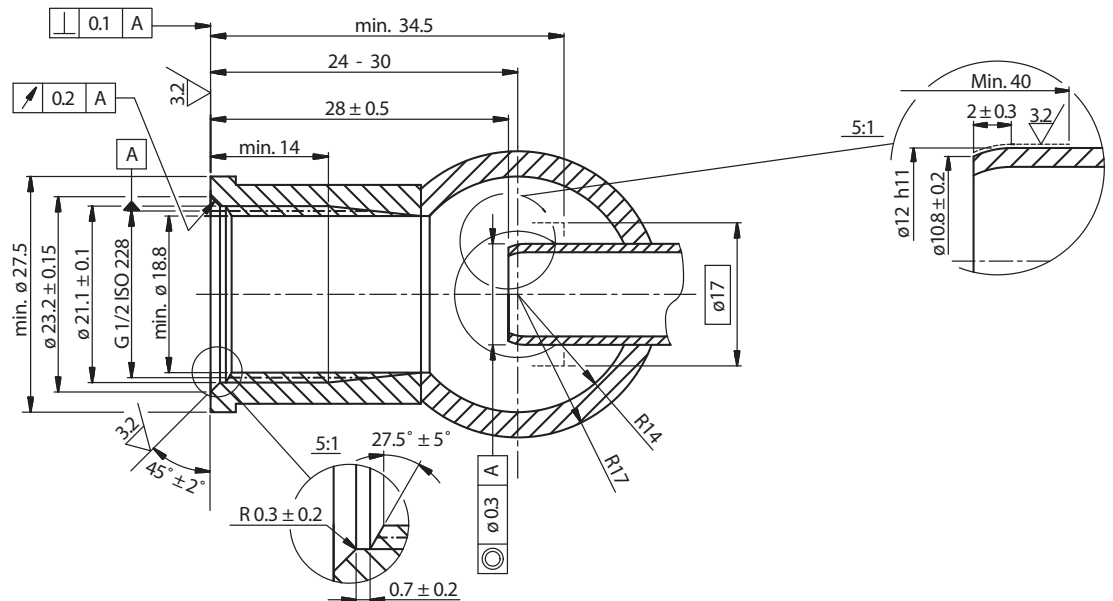
RA-N



Capacities at  $X_p = 2K$  with Danfoss radiator thermostat RA 2000 are measured without radiator and connection fittings.

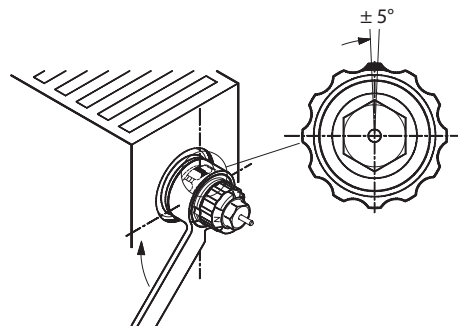
Dimensions

Standard fittings



The dimensions stated may vary according to different radiator manufacturers.

Mounting Instructions

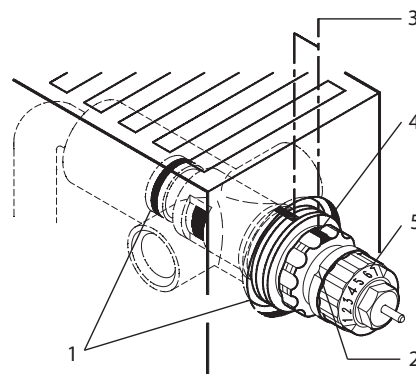


Installation of an integrated valve at radiator manufacturer's plant

An integrated valve can only be fitted once in a radiator (because of the load on the deformation zone).

- Fit the integrated valve in the radiator using a 12-edge spanner, KW 21.
- Tighten using a torque of 30-35 Nm
- If required, continue turning until one of the cap thread beads points upwards (only clockwise). Tolerance for adjustment:  $\pm 5^\circ$ .

Removal and fitting in an existing radiator



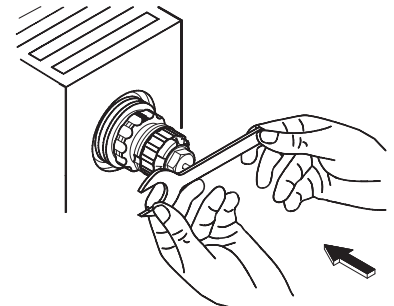
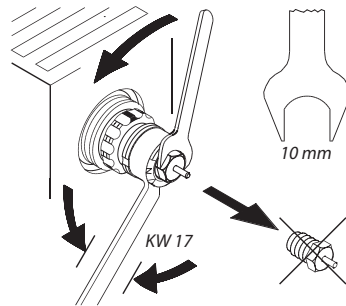
- Two O-rings
- Reference mark
- Before removal: Notice the presetting value.
- Please mark off the valve position on the valve and the radiator (3), e.g. on top (4)
- Remove valve.
- Fitting: Insert the integrated valve, tighten until the marked-off position has been reached.

Setting ring with presetting numbers (5):

- RA-N types: red plastic

**Replacing the Gland Seal**

While the system is in operation, the gland seal can be replaced by means of a spanner, KW 10. Hold the setting ring using a 12-edge ring-spanner, KW 17.



*Firmly*





Danfoss A/S  
Heating Solutions  
Haarupvaenget 11  
8600 Silkeborg  
Denmark  
Phone: +45 7488 8000  
Fax: +45 7488 8100  
Email: [heating.solutions@danfoss.com](mailto:heating.solutions@danfoss.com)  
[www.heating.danfoss.com](http://www.heating.danfoss.com)

---

Danfoss can accept no responsibility for possible errors in catalogues, brochures and other printed material. Danfoss reserves the right to alter its products without notice. This also applies to products already on order provided that such alterations can be made without subsequential changes being necessary in specifications already agreed. All trademarks in this material are property of the respective companies. Danfoss and the Danfoss logotype are trademarks of Danfoss A/S. All rights reserved.

---