

Data Sheet

# Thermostatic Sensors RAE-K and RAE-H, with connection for non-Danfoss and Herz valves

Application



RAE-K/RAE-H



RAE-K 5036

The RAE-K and RAE-H series is a programme of self-actuating proportional controllers with a small P-band.

The sensor range includes:

- RAE-K 5034 with built-in sensor
- RAE-K 5036 with remote sensor
- RAE-K 5134 with built-in sensor and positive shut-off
- RAE-H 5035 with built-in sensor

The RAE-K sensors can be used on valve bodies from the following producers: Kermi, Henrad, Purmo, DEF, Dianorm, Diatherm, Biasi, Radson, Ferroli, Stelrad, Kaimann, Arbonia, Superia and Veba and also on the steel tube radiator from Buderus.

The RAE-H 5035 sensor are designed for valve bodies from the producer Herz.

All sensors are equipped with facilities for frost protection and for limiting and locking the temperature set-point.

The RAE-K 5036 RA 2922 is equipped with 2 m of ultra-thin capillary tube, which is coiled up within the remote sensor housing. After sensor mounting capillary tube is pulled out to the required length.

The RAE-K and RAE-H series comes in the colour white RAL 9016.

Ordering and Specifications

Type	Version	Setting Range <sup>1)</sup>	Code No.
RAE-K 5034	Built-in sensor	8-28 °C	<b>013G5034</b>
RAE-K 5036	Remote sensor, 0 - 2 m capillary tube <sup>2)</sup>		<b>013G5036</b>
RAE-K 5134	Built-in sensor, positive shut-off		<b>013G5134</b>
RAE-H 5035	Built-in sensor, for Herz valves		<b>013G5035</b>

Accessory

Theft protection for RAE-K <sup>3)</sup>	<b>013G5389</b>
--	-----------------

<sup>1)</sup> Temperatures stated for Xp = 2K, i.e. the valve is closed at 2 °C higher room temperature.

<sup>2)</sup> The remote sensor is delivered with all of the capillary tube coiled up within the sensor. When mounting the sensor, only the capillary tube required is uncoiled.

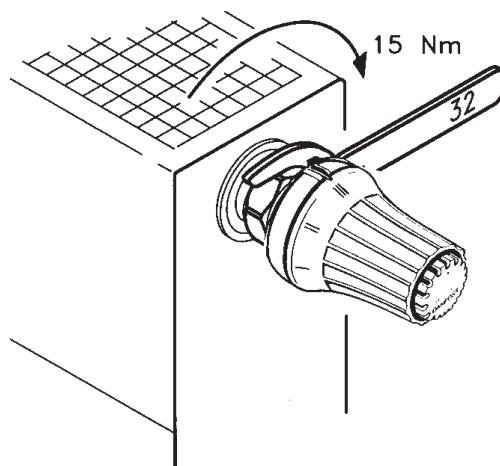
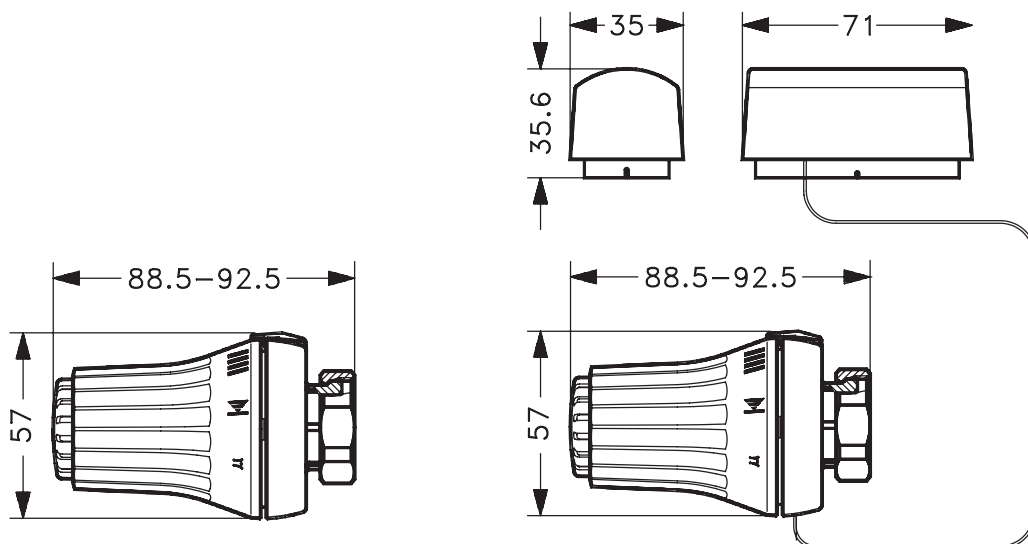
<sup>3)</sup> Protection ring to prevent unintended removal of the sensor. No tools are required for mounting the protection ring.

**Mounting**

An open-end spanner is used for mounting the sensor onto the valve body.

Instructions for installation are included with the product.

The sensor should always be placed where the room air can circulate freely around it.


**Dimensions**

**Danfoss A/S**

Heating Segment • [heating.danfoss.com](http://heating.danfoss.com) • +45 7488 2222 • E-Mail: [heating@danfoss.com](mailto:heating@danfoss.com)

Danfoss can accept no responsibility for possible errors in catalogues, brochures and other printed material. Danfoss reserves the right to alter its products without notice. This also applies to products already on order provided that such alterations can be made without subsequential changes being necessary in specifications already agreed. All trademarks in this material are property of the respective companies. Danfoss and all Danfoss logotypes are trademarks of Danfoss A/S. All rights reserved.